

# 12 to 24 Volt DC Switchmode Battery Charger

Operating Instructions  
Please read these instructions before use

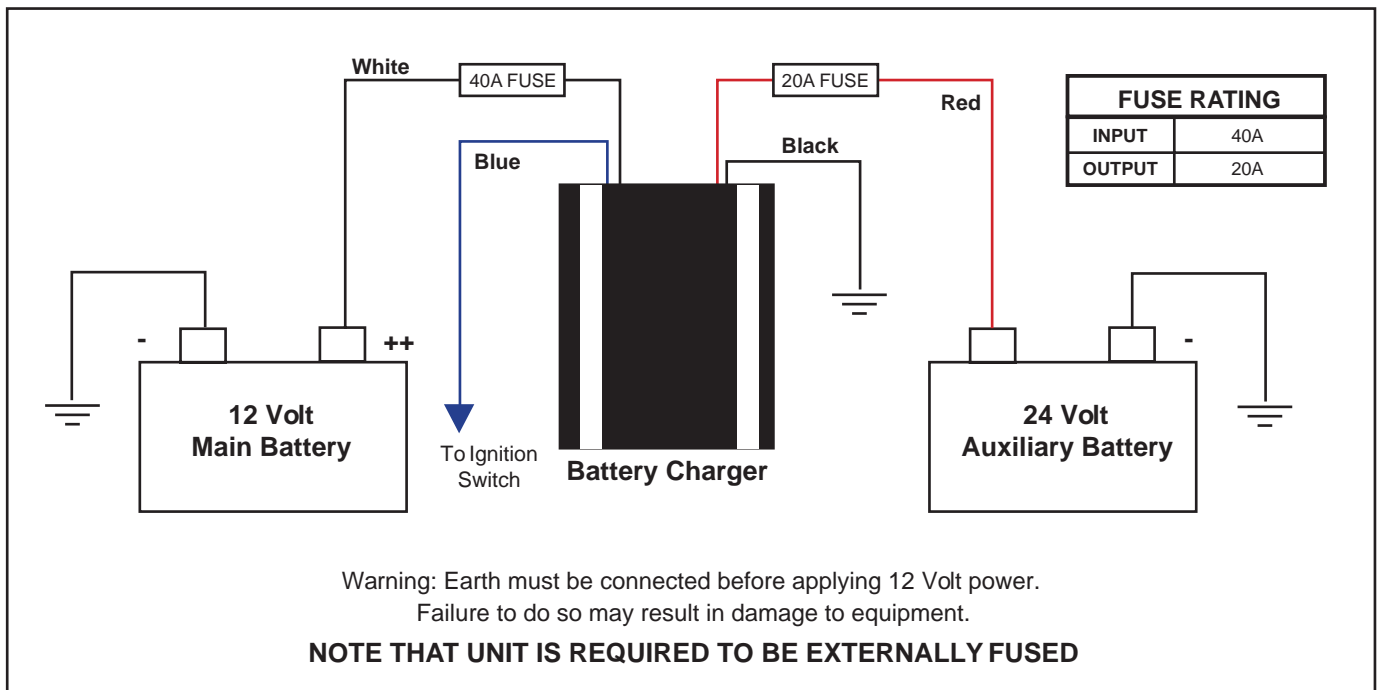


The BC1224-15 Maintains Charge in 24 Volt Supply or Auxiliary Battery when using 12 Volt Charging System.

- Electronically regulated to 27.6 volts ( $\pm 5\%$ )
- Current and voltage limiting protection. Output voltage folds back under overload.
- Diode protection to guard against incorrect wiring of input to output leads.
- Charges on demand. If the output demand exceeds the rating of the unit, the output voltage will foldback maintaining the output current at the units maximum rating and thereby maintaining the maximum charge to the battery.

**Note:** Before installation the user shall determine the suitability of the product to ensure correct application.

1. Disconnect the battery supply.
2. The following connection sequence is to be followed: Ground (Black), Input (White), Output (Red), Control (Blue).
3. Mount the unit inside the vehicle or in a position protected from weather and dust. Avoid locations such as fuel lines or where external heat is produced e.g. exhaust system or where the batteries are located.
4. Chose a position with good ventilation where air can pass freely around the unit.
5. Ensure the unit is protected from water spray and other sources of contamination e.g. oil, grease and dust.
6. Ensure that the unit is installed away from any flammable fumes, liquids or materials.



**Warranty Conditions:** The product is warranted to be free from defects in materials and workmanship under normal use and service for a period of 24 months from the date of sale. This warranty covers defective parts and workmanship provided that the product is shipped prepaid to the seller within 24 months of purchase of goods. This warranty is limited to the repair or replacement (at the manufacturers' discretion) of parts and shipping prepaid to the original despatch destination. We regret that no liability can be accepted for consequential or special damages of any kind howsoever arising in connection with products supplied by the seller. This warranty is in lieu of all other warranties expressed or implied. No representative is authorised to assume for the seller any other liability in connection with the seller's products.