

24 Volt DC to 12 Volt DC Switchmode Battery Chargers

Operating Instructions
Please read these instructions before use

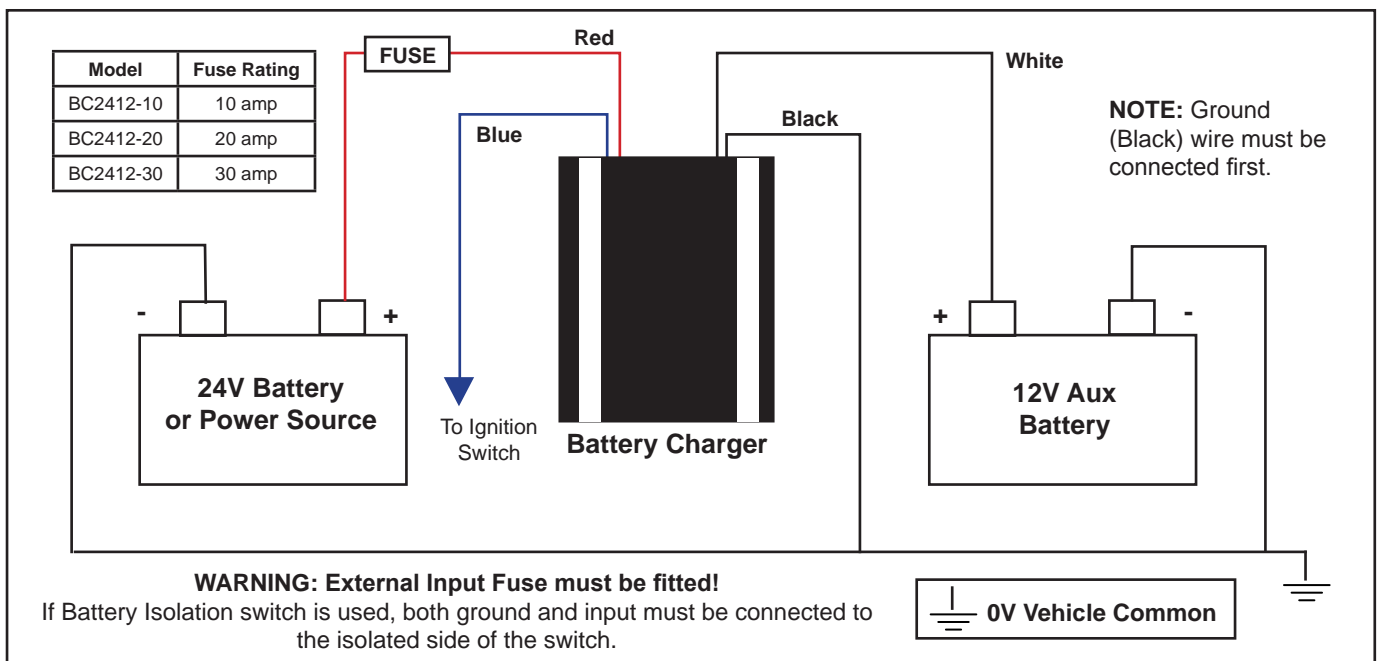


When Installing Please Note:

1. The following connection sequence is to be followed: Ground (Black), Input (Red), Output (White), Control (Blue).
2. Mount the unit inside the vehicle or in a position protected from weather and dust. Avoid locations such as fuel lines or where external heat is produced e.g. exhaust system or where the batteries are located.
3. Choose a position with good ventilation where air can pass freely around the unit.
4. Ensure the unit is protected from water spray and other sources of contamination e.g. oil, grease and dust.
5. Ensure that unit is installed away from any flammable fumes, liquids or materials.

NOTE: A large spark can sometimes be generated during the connection, due to the current required to charge the capacitors in the charger.

REFER TO DIAGRAM FOR CORRECT FUSE RATING



The battery charger is protected against over voltage, under voltage (during cranking of vehicle), over current (overload) and voltage spikes or surges. Under any of the above conditions the battery charger will shut down.

Notes: The BC2412-10 is fitted with an internal re-settable fuse.

To reset the battery charger, disconnect power and wait 5 minutes before reconnecting.

- a) Where BLUE control wire is connected via ignition switch (preferred wiring), simply switch ignition switch 'off' and 'on' again.
- b) Where BLUE control wire is hard wired to battery, simply disconnect wire (blue) and reconnect.

The unit will continue to shut down if the fault recurs. If this is the case then the fault should be located and rectified.

Warranty Conditions: The product is warranted to be free from defects in materials and workmanship under normal use and service for a period of 24 months from the date of sale. This warranty covers defective parts and workmanship provided that the product is shipped prepaid to the seller within 24 months of purchase of goods. This warranty is limited to the repair or replacement (at the manufacturers' discretion) of parts and shipping prepaid to the original despatch destination. We regret that no liability can be accepted for consequential or special damages of any kind howsoever arising in connection with products supplied by the seller. This warranty is in lieu of all other warranties expressed or implied. No representative is authorised to assume for the seller any other liability in connection with the seller's products.