

FLM-24N & FLM-24P Headlamp Flashing Modules

The FLM-24 (N/P) is a 2-channel module designed to be used in conjunction with either the TFM-24 or STFM-24 (not compatible with the TFM-12), on government and private busses. One channel is dedicated to flashing the headlights (alternately), while the other channel is an auxiliary channel and can be used to dip the headlights via the trigger if so desired, etc.

The FLM-24N module is supplied with channel 1 jumper (Headlights) set for negative triggering input, and channel 2 jumper (Aux) set for positive triggering input. The FLM-24P module is supplied with both channels jumpers set to positive triggering inputs. Both channels can be triggered by either a positive or negative input depending on the positioning of the movable jumpers installed within the module.

Changing The Channel Triggering Jumpers

Both the FLM-24N & FLM-24P can have either or both channels triggering inputs changed to negative or positive triggering to suit individual needs if required.

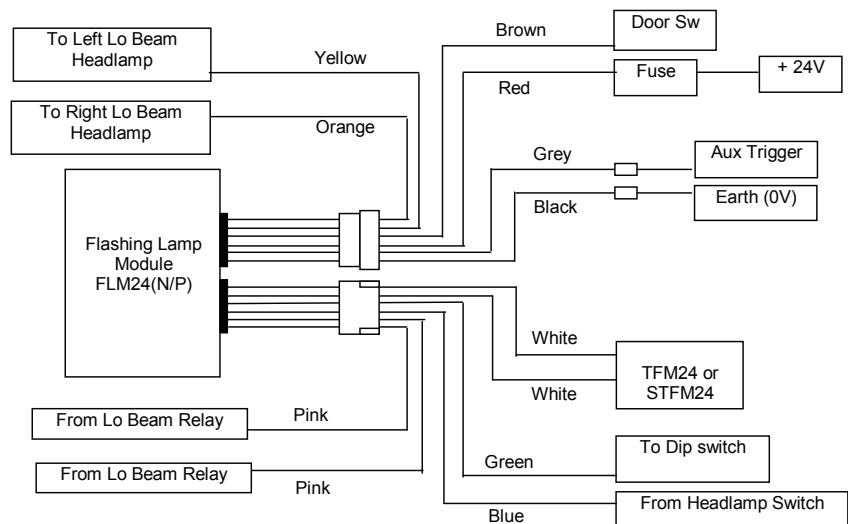
1. Remove the 4 small screws from the base of the module and carefully remove the modules cover.
2. Locate both jumpers marked JP1 (channel 1, Headlights), & JP2 (channel 2, Aux) on the PCB (see diagram).
3. Carefully remove the jumpers by pulling in an upward motion and reposition in the desired position (Pins 1&2 for positive trigger, Pins 2&3 for negative trigger, as marked on the PCB).
4. Reassemble module.

Wiring Instructions

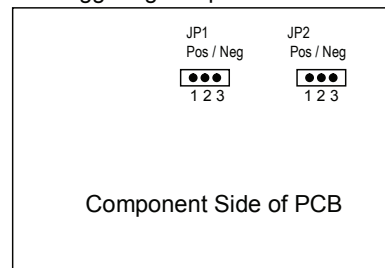
Red: +24V
Black: 0V

Pink: From Low Beam Relay
Yellow: To Left Low Beam Headlight
Orange: To Right Low Beam Headlight
Brown: From Door(s) SWITCH
(Channel one trigger input)

Blue: From Headlight Switch
Green: To Dipping Switch
Grey: (Channel two trigger input)



Triggering Jumper Location



Warranty Conditions: The product is warranted to be free from defects in materials and workmanship under normal use and service for a period of 24 months from the date of sale. This warranty covers defective parts and workmanship provided that the product is shipped prepaid to the seller within 24 months of purchase of goods. This warranty is limited to the repair or replacement (at the manufacturers' discretion) of parts and shipping prepaid to the original despatch destination. We regret that no liability can be accepted for consequential or special damages of any kind howsoever arising in connection with products supplied by the seller. This warranty is in lieu of all other warranties expressed or implied. No representative is authorised to assume for the seller any other liability in connection with the seller's products.