



## Overview

The HB 12/24 has been designed to work with both 12V/24V vehicles, acting on either a positive or negative handbrake and door switches. If the door is opened with out the Handbrake applied a latched alarm (both audible and visual) will go off and cannot be reset until the Hand Brake has been engaged.

This aids the driver in reducing the incident of exiting the vehicle with out the Handbrake engaged. Also provided there is a optional Auxillary Alarm feed that can be used to drive a relay to activate the vehicles horn or similar external alarm device.

## Setup

Install HB12/24 as per the wiring diagram on the reverse of this leaflet for the style of wiring that exists in your vehicle.

Ensure vehicle is on a level surface and that you remain in the vehicle in the drivers seat.

Apply the Hand Brake and keep the door of the vehicle closed during this setup.

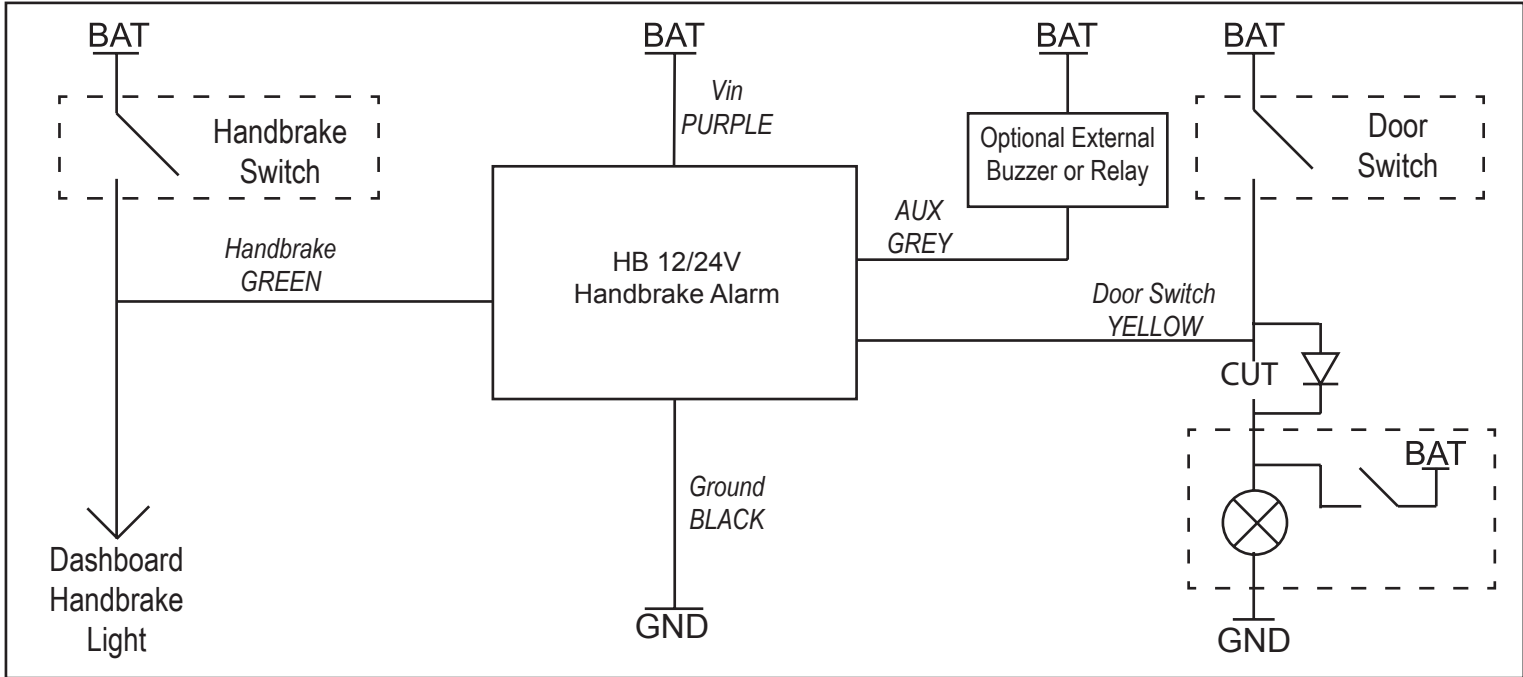
Press and hold the [Setup] button for 2 seconds on the unit facia. The LED will light up and then the buzzer will sound when the unit has successfully set up.

To test for a successful installation whilst holding your foot down on the brake pedal, release the Hand brake and open the door. The alarm should be sounding and will continue to sound until you engage the Hand Brake

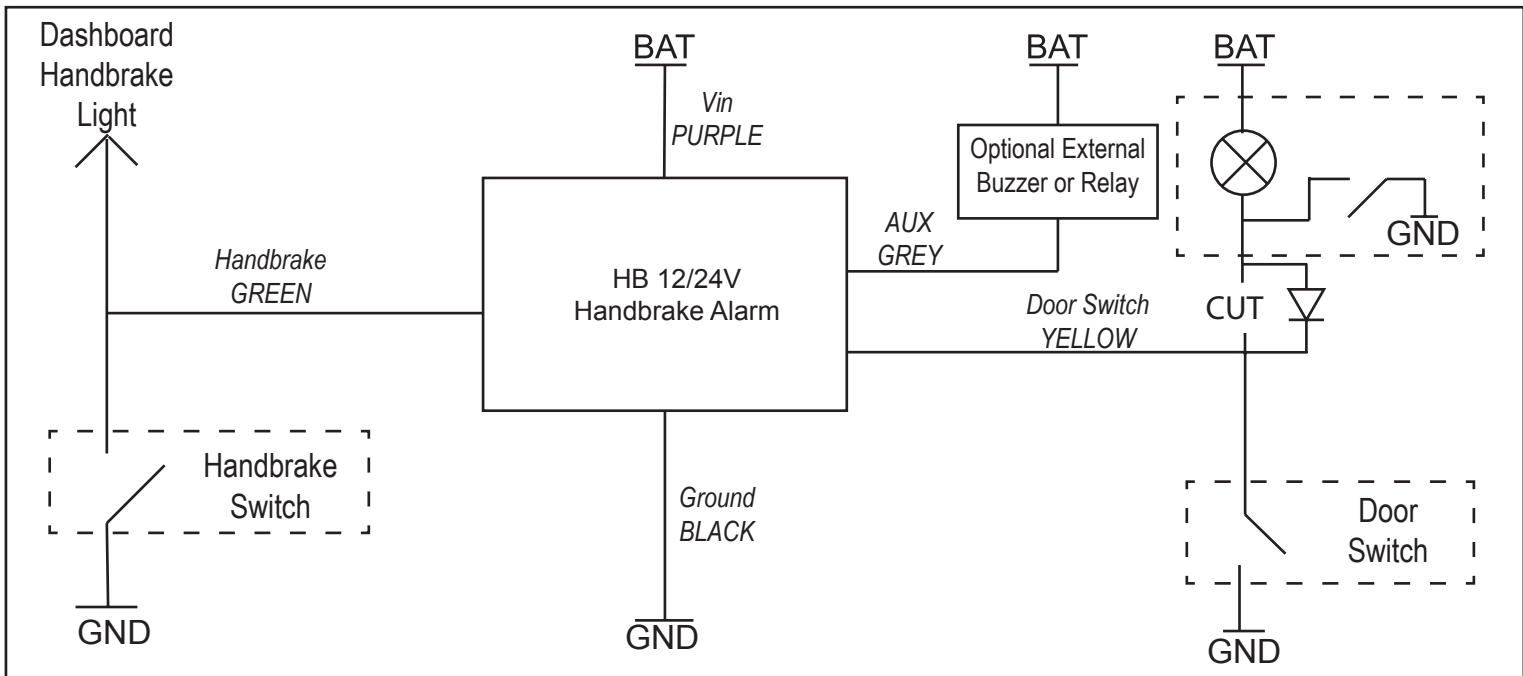
If there is no alarm then restart the Setup procedure from the start again.

*Warranty Conditions:* The product is warranted to be free from defects in materials and workmanship under normal use and service for a period of 24 months from the date of sale. This warranty covers defective parts and workmanship provided that the product is shipped prepaid to the seller within 24 months of purchase of goods. This warranty is limited to the repair or replacement (at the manufacturers' discretion) of parts and shipping prepaid to the original despatch destination. We regret that no liability can be accepted for consequential or special damages of any kind howsoever arising in connection with products supplied by the seller. This warranty is in lieu of all other warranties expressed or implied. No representative is authorised to assume for the seller any other liability in connection with the seller's products.

**Wiring Guide**



**Positive Door and Positive Brake Switch**



**Negative Door and Negative Brake Switch**