

**12 Volt**  
**Multi Chemistry Booster Charger**  
Operating Instructions  
Please read these instructions before use



**Notes:** Before installation the user shall determine the suitability of the product to ensure correct application. A large spark can sometimes be generated during the connection sequence due to the current required to charge the internal capacitors inside the reducer.

**The following connection sequence is to be followed: Ground (Black), Input (White), Output (Red), Control (Blue).**

1. Disconnect the battery supply.
2. Choose a mounting position. It is recommended to mount the unit inside the vehicle as the unit is not waterproof. Select a position with good ventilation where air can pass freely around the unit. Avoid locations such as fuel lines or where external heat is produced e.g. exhaust system or where the batteries are located.
3. Ensure the unit is protected from water spray and other sources of contamination e.g. oil, grease and dust.
4. Ensure that unit is installed away from any flammable fumes, liquids or materials.

**NOTE:** A large spark can sometimes be generated during connection, due to the current required to charge the capacitors in the charger.

### Operation Guide

Thank You for purchasing another quality GSL Product. This Micro Controlled Booster Charger has been designed to overcome the limitations of most auxiliary charging systems. It is a full 3 stage 25Amp Charger which will operate from voltages as low as 9.2Volts up to 15Volts still giving an optimal charge to a variety of lead acid battery chemistries. Ensure when fitting the unit to the vehicle that all directions on the page overleaf are followed. Once the unit is fitted and is ready to go, select the "Chemistry" Switch to AGM, GEL or Flooded (For Lead Acid) according to your auxiliary battery type.

### LED Indicators Guide

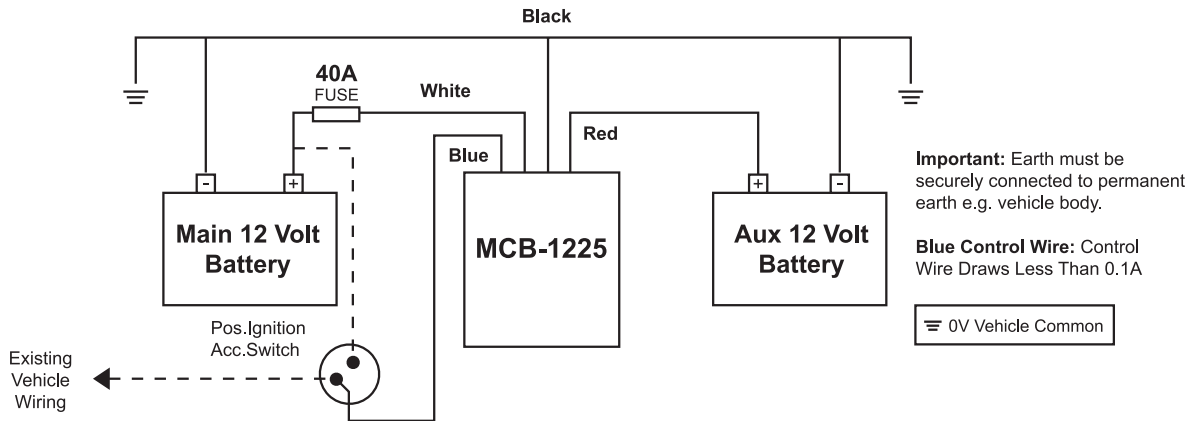
**Input LED Indicator:** If the indicator is flashing it is showing that the Input Voltage is lower than 12.1Volts. When it is solid it is indicating that the voltage is above 12.1Volts.

**Output LED Indicator:** This indication flashes when the battery is being charged. When the indicator is solid the battery is fully charged.

| Operational Parameters                              |           |
|-----------------------------------------------------|-----------|
| Maximum Current at Bulk Charge                      | 25Amps    |
| Lowest operating Voltage                            | 9.2Volts  |
| Maximum Operating Voltage                           | 15Volts   |
| Maximum Charge Voltage for Flooded Cell (LEAD ACID) | 14.6Volts |
| Maximum Charge Voltage for A.G.M                    | 14.4Volts |
| Maximum Charge Voltage for GEL                      | 14.2Volts |
| Float Voltage                                       | 13.5Volts |

**Fig 1. Typical Installation Diagram**

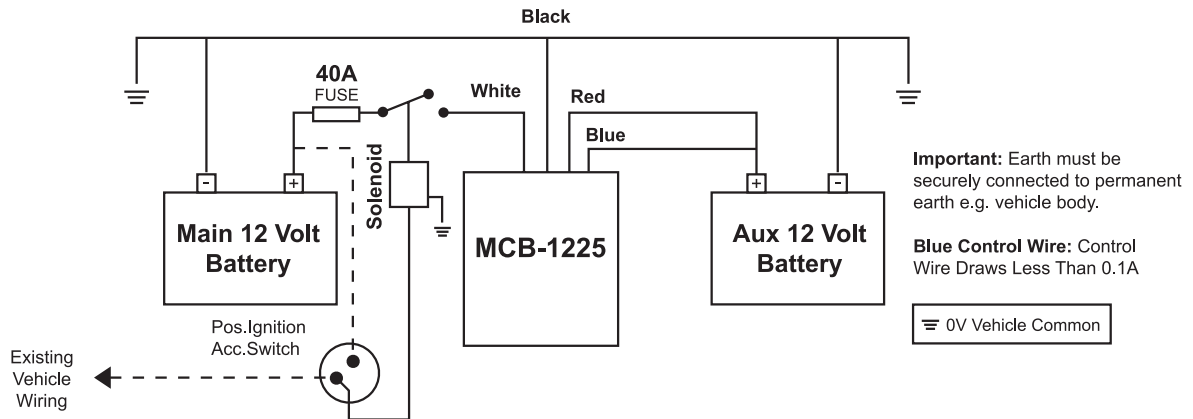
Chose a cable size suitable for your application. We recommend a minimum of 6mm automotive cable be used for the White, Red and Black wires for runs up to 10 meters. For runs over 10 meters a larger diameter cable must be used.



**WARNING!: External 40A Input Fuse Must Be Fitted!**

**Fig 2. When Ignition Not Available At Charger**

Chose a cable size suitable for your application. We recommend a minimum of 6mm automotive cable be used for the White, Red and Black wires for runs up to 10 meters. For runs over 10 meters a larger diameter cable must be used.



**WARNING!: External 40A Input Fuse Must Be Fitted!**

*Warranty Conditions:* The product is warranted to be free from defects in materials and workmanship under normal use and service for a period of 24 months from the date of sale. This warranty covers defective parts and workmanship provided that the product is shipped prepaid to the seller within 24 months of purchase of goods. This warranty is limited to the repair or replacement (at the manufacturers' discretion) of parts and shipping prepaid to the original despatch destination. We regret that no liability can be accepted for consequential or special damages of any kind howsoever arising in connection with products supplied by the seller. This warranty is in lieu of all other warranties expressed or implied. No representative is authorised to assume for the seller any other liability in connection with the seller's products.