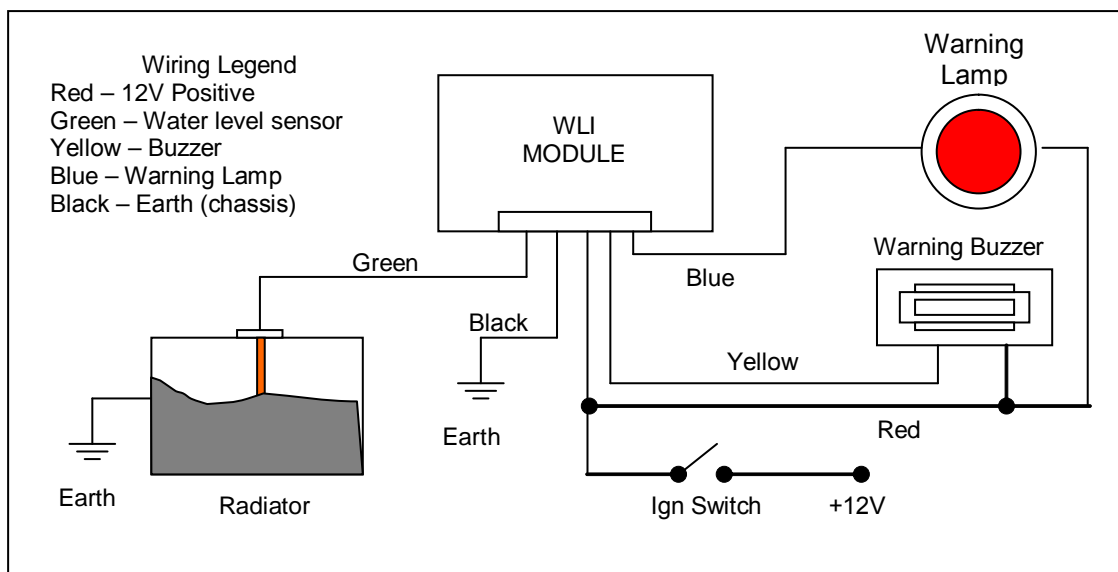


Note:

1. When fitting unit to a radiator with plastic header tank or where radiators are rubber mounted ensure that an earth is provided to the core. A separate probe can be installed for the earth if required.
2. Use in applications with water based fluids only. The indicator units are not suitable for use with oil or petroleum products.
3. If using unit in conjunction with a relay e.g. for connection to a fuel cutoff system or vehicle horn, we recommend the use of a 12V 40A mini relay.



Operation

1. Warning lamp illuminates momentarily when the ignition is switched on so as to indicate the system is functional.
2. Lamp will re-illuminate as an initial warning if the coolant in the tank drops below the level of the probe.
3. After a time lapse of 4 seconds, if the coolant remains below the level of the probe, the buzzer (or cut off relay) will be activated.

Warning: If the buzzer is activated coolant levels should be checked as soon as possible. Failure to respond may result in engine damage.

Fitting Instructions for Low Water Probes

Probe Part No. 230 058 - Rod length = 55mm - Suits radiators with plastic header tanks.

Probe Part No. 230 061 - Threaded black plastic assembly - Suits radiators with brass header tanks.

Probe Part No. 230 059 - Rod length = 120mm.

Part No. 230 059 is sold as an optional item and is available upon request.

Probe Assembly Part No. 230 058, 230 059

Take stainless steel rod and screw down neoprene seal. Fit in sequence, the fibre washer, large brass washer, one (1) of the 5.0mm nuts, terminal, spring washer and finally the last 5.0mm nut. Refer to diagram for illustration of assembly.

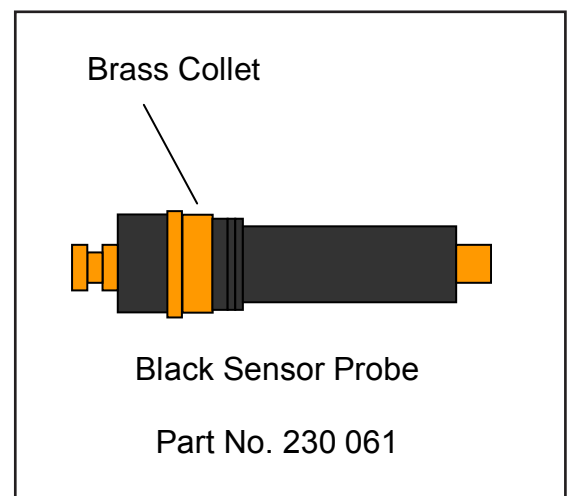
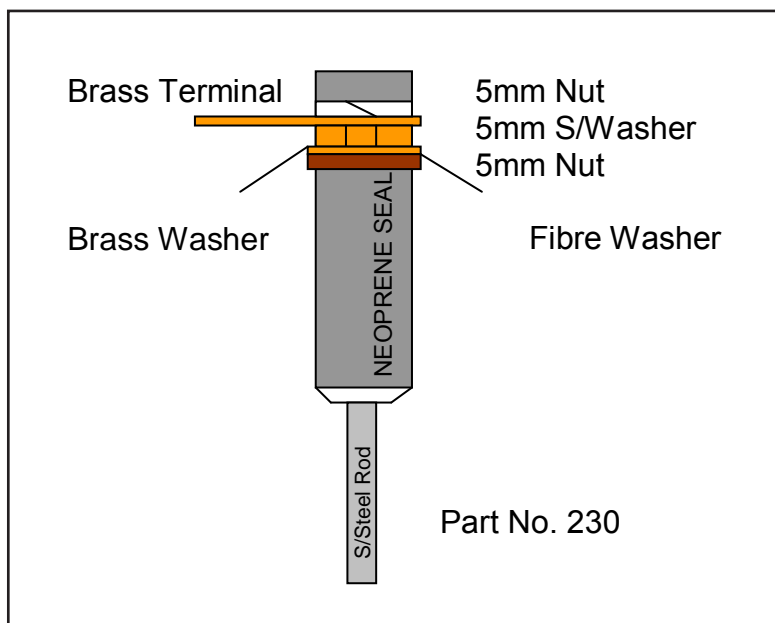
Installation:

1. Drill a hole of not less than 9.6mm and not more than 10.0mm diameter.
2. Insert probe into hole and tighten the bottom 5.0mm nut to expand neoprene seal against sides of the hole. As a guide, use 3 turns in 4.0mm wall thickness and 5-6 turns in 1.0mm wall thickness.
3. Wire in accordance to wiring instruction.

Probe Assembly Part No. 230 061

Installation:

1. Drill a 12.0mm hole in the brass header tank.
2. Place the brass collet in the hole and solder to tank.
3. Secure probe into the brass collet by rotating the probe in a clockwise action using a 13.0mm spanner. To create a water tight seal, ensure that the neck of the probe is hard up against the collet.
4. Wire in accordance to wiring instructions.



Warranty Conditions: The product is warranted to be free from defects in materials and workmanship under normal use and service for a period of 24 months from the date of sale. This warranty covers defective parts and workmanship provided that the product is shipped prepaid to the seller within 24 months of purchase of goods. This warranty is limited to the repair or replacement (at the manufacturers' discretion) of parts and shipping prepaid to the original despatch destination. We regret that no liability can be accepted for consequential or special damages of any kind howsoever arising in connection with products supplied by the seller. This warranty is in lieu of all other warranties expressed or implied. No representative is authorised to assume for the seller any other liability in connection with the seller's products.